



## STINGER 70100 | Boom Truck Crane

# BOOM TRUCK CRANE STINGER 70100



### FEATURES

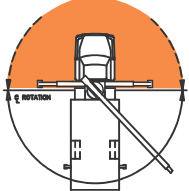
- ▶ 70,000 lb (31 752 kg) maximum lifting capacity
- ▶ 110' (33.53 m) maximum sheave height
- ▶ 163' (49.68 m) maximum sheave height with 30.5-55' (9.30-16.76 m) jib
- ▶ 30.5-100' (9.30-30.48 m) four-section full power fully synchronized boom
- ▶ Exclusive color coded boom and load charts
- ▶ Easy-to-install optional 30.5' (9.30 m) one stage or 30.5-55' (9.30-16.76 m) two stage telescoping jib, man baskets or work platform increase job capacities
- ▶ Electronic Load Moment Indicator and anti-two-block device standard with internal cable
- ▶ Externally located planetary rotation drive for easy accessibility for maintenance
- ▶ 2-speed planetary winch has 12,900 lb (5 851 kg) maximum permissible 1 part line, 45,400 lb (20 593 kg) breaking strength, 196 ft/min (60 m/min) maximum line speed
- ▶ Dual control station with direct mechanically controlled hydraulic system
- ▶ 90 gal (342 L) capacity hydraulic tank

## BT MODEL

### LOAD RATINGS



CAUTION Do not use this specification sheet as a load rating chart. The format of data is not consistent with the machine chart and may be subject to change.

BOOM LENGTH													Maximum Load Chart in pounds (lbs) with fully extended outrigger	
OPERATING RADIUS (FT)	30.5 FT		44 FT		58 FT		72 FT		86 FT		100 FT		AREA OF OPERATION	Deductions from rate loads for load handling devices BT
	LOADED BOOM ANGLE (DEG)	LOAD RATING (LB)	LOADED BOOM ANGLE (DEG)	LOAD RATING (LB)	LOADED BOOM ANGLE (DEG)	LOAD RATING (LB)	LOADED BOOM ANGLE (DEG)	LOAD RATING (LB)	LOADED BOOM ANGLE (DEG)	LOAD RATING (LB)	LOADED BOOM ANGLE (DEG)	LOAD RATING (LB)		
5	78	70,000*											<b>AREA OF OPERATION</b> DO NOT OPERATE IN SHADED AREA WITHOUT OPTIONAL FRONT STABILIZER 	
8	72	60,800*												
10	68	44,800*	75	31,300*										
12	64	40,000*	72	31,700*	77	31,100*								
15	58	33,200*	68	31,600*	74	30,500*	77	27,600*						
20	45	24,400*	61	24,500*	68	23,600*	73	21,200*	76	19,000*				
25	29	18,300*	53	19,100*	63	19,100*	69	17,200*	72	15,300*	75	12,100*		
30			44	15,000*	57	15,400*	64	14,400*	69	12,900*	72	10,500*		
35			34	11,400	51	11,800	60	12,000	65	11,100*	69	9,100*		
40			18	8,700	44	9,300	55	9,400	61	9,500	66	7,000*		
45					36	7,300	50	7,600	57	7,700	62	6,000*		
50					27	5,800	44	6,100	53	6,200	59	5,100*		
55					11	4,600	38	5,000	49	5,100	56	4,500*		
60							31	4,000	44	4,200	52	3,900*		
65							22	3,200	39	3,400	48	3,400*		
70									34	2,800	44	2,900		
75									27	2,200	40	2,400		
80									18	1,700	35	1,900		
85											30	1,500		
90											24	1,100		
95											15	800		

NOTE: STRUCTURAL STRENGTH RATINGS IN CHART ARE INDICATED WITH AN ASTERISK \*

### STOWED JIB DEDUCTIONS (POUNDS)

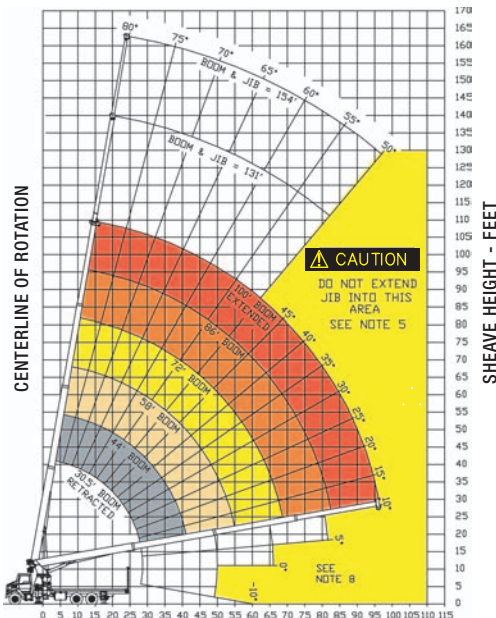
900	700	500	400	335	300
-----	-----	-----	-----	-----	-----

Overhaul Ball	200 lbs
1 Sheave Load Block	225-550 lbs
2 Sheave Load Block	300-650 lbs

### JIB CAPACITIES FOR ALL BOOM LENGTHS VERIFY OPERATIONAL MODE SETTING ON LMI DISPLAY BEFORE LIFTING WITH JIB

Loaded Boom Angle	50°	55°	60°	65°	70°	75°	78°	80°
Retracted 30.5 ft Jib	800	1,400	2,300	3,300	4,000	5,300	6,000	6,450
Extended 55 ft Jib	700	1,050	1,700	2,300	3,000	3,500	3,500	3,500

RANGE DIAGRAM (30.5 - 100 FT BOOM)



### GENERAL NOTES

- The operator must read and understand the Owner's Manual before operating this crane.
  - Positioning or operation of crane beyond areas shown on this chart is not intended or approved except where specified in Owner's Manual.
  - Loaded boom angles at specified boom lengths give only an approximation of the operating radius. The boom angle before loading should be greater to account for deflections. Do not exceed the operating radius for rated loads.
  - Use rating of next longer boom for boom lengths not shown. Use rating of next greater radius for load radii not shown.
  - Boom must be fully retracted when jib is erected before lowering below minimum angle. Retracted jib has no lifting capacity below a 50° boom angle.
  - Use rating of next lower boom angle for boom angles not shown on jib load rating chart.
  - Lifting off the main boom point while the swing around jib is erected is not intended or approved.
  - Do not lower boom into this area, as hydraulic pressure will not allow raising the boom without retracting boom first.
  - Crane load ratings on outriggers are based on freely suspended loads with the machine leveled and standing on a firm uniform supporting surface. No attempt shall be made to move a load horizontally on the ground in any direction.
  - Practical working loads depend on supporting surface, wind and other factors affecting stability such as hazardous surroundings, experience of personnel, and proper handling, must all be taken into account by the operator.
  - The maximum load which may be telescoped is limited by hydraulic pressure, boom angle, and boom lubrication. It is safe to attempt to telescope any load within the limits of the load rating chart.
- INFORMATION**
- Deductions must be made from rated loads for stowed jib, optional attachments, hooks and loadblocks (see deduction chart). Weights of slings and other load handling devices shall be considered a part of the load.
  - Crane load ratings with outriggers are based on outriggers and stabilizers extended and set with all load removed from the carrier wheels.
  - Load ratings do not exceed 85% of tipping load.
- DEFINITIONS**
- Operating radius is the horizontal distance from the axis of rotation to the center of the vertical hoist line or load hook with load suspended.
  - Loaded boom angle as shown in the Load Ratings Chart is the included angle between the horizontal and longitudinal axes of the boom base after lifting rated load at rated radius.

## RS MODEL

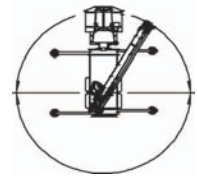
**LOAD RATINGS** **CAUTION** Do not use this specification sheet as a load rating chart. The format of data is not consistent with the machine chart and may be subject to change.

BOOM LENGTH												Maximum Load Chart in pounds (lbs) with fully extended outrigger	
OPERATING RADIUS (FT)	30.5 FT		44 FT		58 FT		72 FT		86 FT		100 FT		
	LOADED BOOM ANGLE (DEG)	LOAD RATING (LB)	LOADED BOOM ANGLE (DEG)	LOAD RATING (LB)	LOADED BOOM ANGLE (DEG)	LOAD RATING (LB)	LOADED BOOM ANGLE (DEG)	LOAD RATING (LB)	LOADED BOOM ANGLE (DEG)	LOAD RATING (LB)	LOADED BOOM ANGLE (DEG)	LOAD RATING (LB)	
5	74	70,000*											
8	67	44,900*											
10	63	39,000*	72	31,100*									
12	59	34,400*	69	31,100*	74	31,100*							
15	52	29,190*	65	27,800*	71	26,700*	75	24,200*					
20	38	22,300*	57	22,000*	66	21,200*	71	19,200*	74	17,000*			
25	17	14,900*	49	18,000*	60	17,500*	67	16,000*	71	14,400*	73	12,100*	
30			40	14,800*	54	14,700*	62	13,300*	67	12,000*	70	10,500*	
35			27	11,600	48	12,000	57	11,500*	63	10,300*	67	9,100*	
40					41	9,200	53	9,400	59	9,100*	64	6,500*	
45					32	7,200	47	7,400	55	7,500	61	5,600*	
50					21	5,700	42	5,900	51	6,000	58	4,900*	
55							35	4,700	47	4,900	54	4,200*	
60							27	3,800	42	3,900	50	3,600*	
65							16	3,000	37	3,200	47	3,100*	
70									31	2,500	42	2,600*	
75									23	2,000	38	2,100	
80									12	1,500	33	1,600	
85											27	1,200	
90											20	900	
95											7	600	

NOTE: STRUCTURAL STRENGTH RATINGS IN CHART ARE INDICATED WITH AN ASTERISK \*

### AREA OF OPERATION

360° Full Capacity Area of Operation



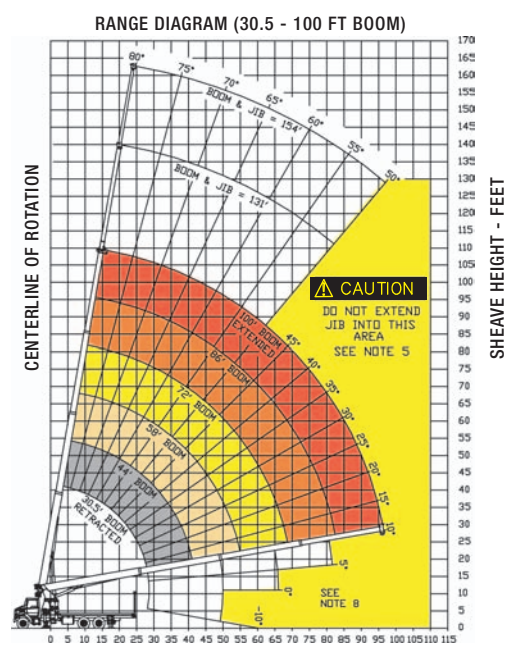
### Deductions from rate loads for load handling devices BT

Overhaul Ball	200 lbs
1 Sheave Load Block	225-550 lbs
2 Sheave Load Block	300-650 lbs

STOWED JIB DEDUCTIONS (POUNDS)					
900	700	500	400	335	300

### JIB CAPACITIES FOR ALL BOOM LENGTHS VERIFY OPERATIONAL MODE SETTING ON LMI DISPLAY BEFORE LIFTING WITH JIB

Loaded Boom Angle	50°	55°	60°	65°	70°	75°	78°	80°
Retracted 30.5 ft Jib	800	1,400	2,300	3,300	4,000	5,300	6,000	6,450
Extended 55 ft Jib	700	1,050	1,700	2,300	3,000	3,500	3,500	3,500









### GENERAL NOTES


- The operator must read and understand the Owner's Manual before operating this crane.
- Positioning or operation of crane beyond areas shown on this chart is not intended or approved except where specified in Owner's Manual.
- Loaded boom angles at specified boom lengths give only an approximation of the operating radius. The boom angle before loading should be greater to account for deflections. Do not exceed the operating radius for rated loads.
- Use rating of next longer boom for boom lengths not shown. Use rating of next greater radius for load radii not shown.
- Boom must be fully retracted when jib is erected before lowering below minimum angle. Retracted jib has no lifting capacity below a 50° boom angle.
- Use rating of next lower boom angle for boom angles not shown on jib load rating chart.
- Lifting off the main boom point while the swing around jib is erected is not intended or approved.
- Do not lower boom into this area, as hydraulic pressure will not allow raising the boom without retracting boom first.
- Crane load ratings on outriggers are based on freely suspended loads with the machine leveled and standing on a firm uniform supporting surface. No attempt shall be made to move a load horizontally on the ground in any direction.
- Practical working loads depend on supporting surface, wind and other factors affecting stability such as hazardous surroundings, experience of personnel, and proper handling, must all be taken into account by the operator.
- The maximum load which may be telescoped is limited by hydraulic pressure, boom angle, and boom lubrication. It is safe to attempt to telescope any load within the limits of the load rating chart.

- INFORMATION**
- Deductions must be made from rated loads for stowed jib, optional attachments, hooks and loadblocks (see deduction chart). Weights of slings and other load handling devices shall be considered a part of the load.
  - Crane load ratings with outriggers are based on outriggers and stabilizers extended and set with all load removed from the carrier wheels.
  - Load ratings do not exceed 85% of tipping load.
- DEFINITIONS**
- Operating radius is the horizontal distance from the axis of rotation to the center of the vertical hoist line or load hook with load suspended.
  - Loaded boom angle as shown in the Load Ratings Chart is the included angle between the horizontal and longitudinal axes of the boom base after lifting rated load at rated radius.

**BT MODEL**

WINCH DATA							
		1 Part Line	2 Part Line	3 Part Line	4 Part Line	5 Part Line	6 Part Line
							
Winch	Cable Supplied	Lift and Speed	Lift and Speed	Lift and Speed	Lift and Speed	Lift and Speed	Lift and Speed
Standard Stationary Winch	5/8" Diam IWRC XXIP	12,971 lb 196 fpm	25,942 lb 98 fpm	38,913 lb 65 fpm	51,844 lb 49 fpm	64,855 lb 39.2 fpm	70,000 lb 32.7 fpm
	5/8" Diam Rotation Resistant	9080 lb 196 fpm	18,160 lb 98 fpm	27,240 lb 65 fpm	36,320 lb 49 fpm	45,400 lb 39.2 fpm	54,480 lb 32.7 fpm

BLOCK TYPE	
Overhaul Ball	Rating: 7.0 ton (6.3 mt)
1 Sheave Block	Rating: 20 ton (18.1 mt)
2 Sheave Block	Rating: 30 ton (27.2 mt)
3 Sheave Block	Rating: 35 ton (31.7 mt)

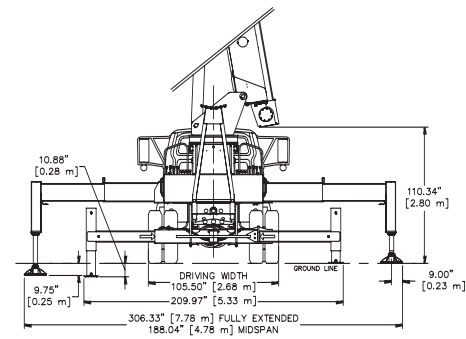
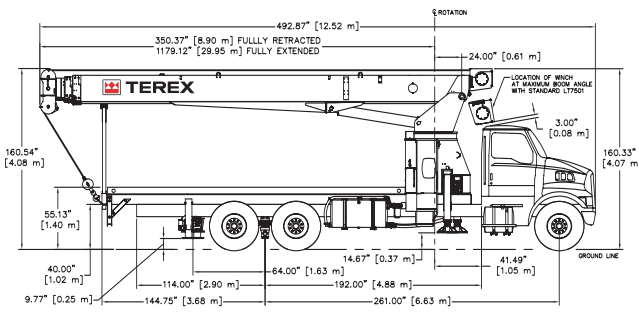
**CAUTION** 

Overload and anti-two-block systems must be in good operating condition before operating crane. Refer to Owners Manual.

Keep at least 3 wraps of loadline on drum at all times.

Use only 5/8" diameter cable with 45,400 lb breaking strength on this machine.

**2 MOUNTING CONFIGURATIONS**



CARRIER PROVIDED BY TEREX	
STINGER BT70100 - Behind Cab Mounting Configuration	
Manufacturer	Sterling LT7501 6 x 4 (60 000)
Standard Engine	Caterpillar C-7 7.2 L I-6
Standard Horsepower	300 hp @ 2,200 rpm
Standard Torque	860 lb. Ft. @ 1,440 rpm
Full Tank Capacity	120 gal (454 L)
Standard Transmission	Eaton Fuller RT-8908LL
Speed Standard Transmission	Manual 10-speed
Max Speed Standard Transmission	74 mph (120 km/h)
Max Gradeability	54%
Standard Transmission	
Optional Transmission	Allison
Speed Optional Transmission	Automatic 6-speeds
Max Speed Optional Transmission	74 mph (120 km/h)
Max Gradeability	17%
Optional Transmission	
Gross Vehicle Weight Rating	60,000 lb (27 210 kg)
Front Axle Weight Rating	20,000 lb (9 067 kg)
Rear Axle Weight Rating	40,000 lb (18 144 kg)
Front Tires	425/65R 22.5 Michelin XZY (20 ply)
Rear Tires	11R 22.5 Michelin XDE M/S (14 ply)
Brakes	Air, Hydraulic Anti-Lock System
Exhaust Position	Vertical Right Side

INCLUDED OPTIONS	
Dual Fuel Tanks	(120 gal-454L)
Power steering	
Electric Horn	
Factory A/C	
Power Port	(Cigar lighter)
AM/FM Radio w/ Clock	
Dual West Coast Stainless Rear View Mirrors	
Standard Factory Warranty	

CHASSIS RECOMMENDATIONS	
STINGER BT70100 - Behind Cab Mounting Configuration	
Combined Axle Weight Rating	60,000 lb (27 210 kg)
Front Axle Weight Rating	20,000 lb (9 067 kg)
Rear Axle Weight Rating	40,000 lb (18 144 kg)
Wheel base	261" (6.62 m)
Cab to Axle	192" (4.87 m)
Afterframe	114" (2.90 m)
Frame Section Modulus	30.0 in <sup>3</sup> (491 cm <sup>3</sup> )
RBM per Frame Rail	3,300,000 in/lb (38 020 kg/m)
Frame Height (Unloaded)	40" (7.62 m)
Exhaust Position	Vertical Right Side



# BOOM TRUCK CRANE STINGER 70100

## RS MODEL

### WINCH DATA

		1 Part Line	2 Part Line	3 Part Line	4 Part Line	5 Part Line	6 Part Line
Winch	Cable Supplied	Lift and Speed	Lift and Speed	Lift and Speed	Lift and Speed	Lift and Speed	Lift and Speed
Standard Stationary Winch	5/8" Diam IWRC XXIP	12,971 lb 196 fpm	25,942 lb 98 fpm	38,913 lb 65 fpm	51,844 lb 49 fpm	64,855 lb 39.2 fpm	70,000 lb 32.7 fpm
	5/8" Diam Rotation Resistant	9080 lb 196 fpm	18,160 lb 98 fpm	27,240 lb 65 fpm	36,320 lb 49 fpm	45,400 lb 39.2 fpm	54,480 lb 32.7 fpm

### BLOCK TYPE

Overhaul Ball	Rating: 7.0 ton (6.3 mt)
1 Sheave Block	Rating: 20 ton (18.1 mt)
2 Sheave Block	Rating: 30 ton (27.2 mt)
3 Sheave Block	Rating: 35 ton (31.7 mt)

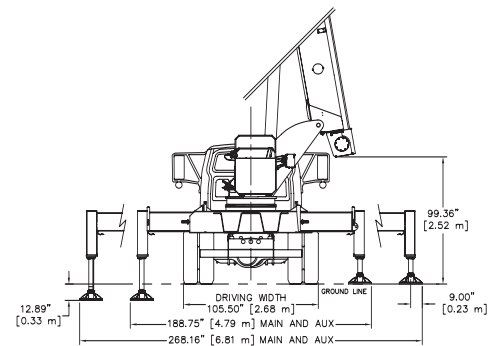
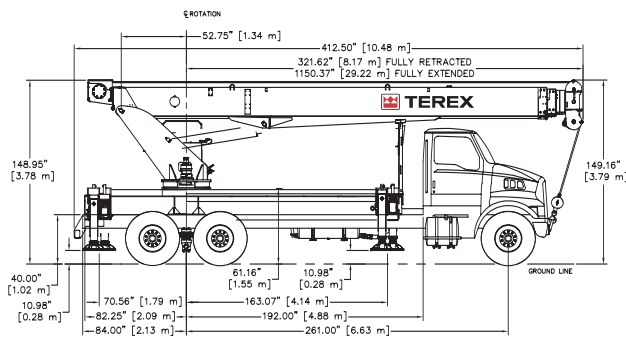
### CAUTION

Overload and anti-two-block systems must be in good operating condition before operating crane. Refer to Owners Manual.

Keep at least 3 wraps of loadline on drum at all times.

Use only 5/8" diameter cable with 45,400 lb. breaking strength on this machine.

### 2 MOUNTING CONFIGURATIONS



### CARRIER PROVIDED BY TEREX

STINGER RS70100 Riding Seat Mounting Configuration

▶ Manufacturer	Sterling LT7501 6 x 4 (60 000)
▶ Standard Engine	Caterpillar C-7 7.2 L I-6
▶ Standard Horsepower	300 hp @ 2,200 rpm
▶ Standard Torque	860 lb. Ft. @ 1,440 rpm
▶ Full Tank Capacity	120 gal (454 L)
▶ Standard Transmission	Eaton Fuller RT-8908LL
▶ Speed Standard Transmission	Manual 10-speed
▶ Max Speed Standard Transmission	74 mph (120 km/h)
▶ Max Gradeability	54%
Standard Transmission	
▶ Optional Transmission	Allison
▶ Speed Optional Transmission	Automatic 6-speeds
▶ Max Speed Optional Transmission	74 mph (120 km/h)
▶ Max Gradeability	17%
Optional Transmission	
▶ Gross Vehicle Weight Rating	60,000 lb (27 210 kg)
▶ Front Axle Weight Rating Rating	20,000 lb (9 067 kg)
▶ Rear Axle Weight Rating Rating	40,000 lb (18 144 kg)
▶ Front Tires	425/65R 22.5 Michelin XZY (20 ply)
▶ Rear Tires	11R 22.5 Michelin XDE M/S (14 ply)
▶ Brakes	Air, Hydraulic Anti-Lock System
▶ Exhaust Position	Vertical Right Side

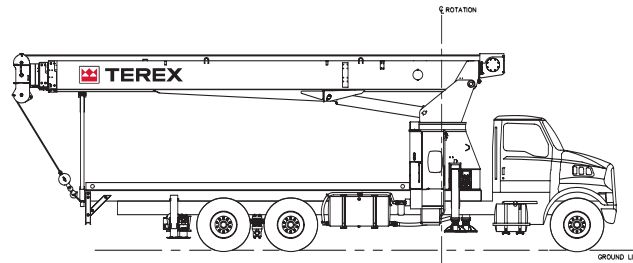
### INCLUDED OPTIONS

- ▶ Dual Fuel Tanks (120 gal-454 L)
- ▶ Power steering
- ▶ Electric Horn
- ▶ Factory A/C
- ▶ Power Port (Cigar lighter)
- ▶ AM/FM Radio w/ Clock
- ▶ Dual West Coast Stainless Rear View Mirrors
- ▶ Standard Factory Warranty

### CHASSIS RECOMMENDATIONS

STINGER RS70100 Riding Seat Mounting Configuration

- ▶ Combined Axle Weight Rating 60,000 lb (27 210 kg)
- ▶ Front Axle Weight Rating 20,000 lb (9 067 kg)
- ▶ Rear Axle Weight Rating 40,000 lb (18 144 kg)
- ▶ Wheel base 261" (6.62 m)
- ▶ Cab to Axle 192" (4.87 m)
- ▶ Afterframe 114" (2.90 m)
- ▶ Frame Section Modulus 30.0 in<sup>3</sup> (491 cm<sup>3</sup>)
- ▶ RBM per Frame Rail 3,300,000 in/lb (38 020 kg/m)
- ▶ Frame Height (Unloaded) 40" (7.62 m)
- ▶ Exhaust Position Vertical Right Side

**BT MODEL**
**SPECIFICATIONS**

**BOOM**

- ▶ 30.5-100' (9.30-30.48 m) four-section full power fully synchronized boom. Patented keel boom design utilizes a keel shaped base plate combined with a deep, four plate boom section to optimize strength / rigidity-to-height ratio. Exclusive, patented color-coded boom and load charts allow the operator to easily determine boom extension, boom angle and load capacity. Maximum tip height with four-section 30.5-100' (9.30-30.48 m) boom is 110' (33.53 m). Maximum tip height with optional two-stage 30.5-55' (9.30-16.76 m) jib is 163' (49.68 m).

**WINCH**

- ▶ Hydraulic winch with gear motor and planetary reduction gearing provides 2-speed operation. First layer rope pull is 15,000 lb (6 804 kg). Wire rope size is 5/8" (16 mm) with 45,400 lb (20 593 kg) breaking strength.

**OPERATING SPEEDS**

- ▶ Mainframe / turret assembly planetary gear rotation provides 180° rotation (370° with optional front bumper outrigger). Swing rotation is 75 seconds. Boom up/down is 60/41 seconds and boom extend/retract is 108/50 seconds.

**HYDRAULICS**

- ▶ Three-section pump allows the operator to perform simultaneous crane operations (winch, boom and swing). Capacities are 32, 17 and 8 gpm (122, 64 and 30 L/m). Hydraulic tank capacity is 90 gal (342 L).

**CONTROLS**

- ▶ Fully proportional, excellent metering characteristics for precise boom movements. Independent outrigger controls allow the crane to be stable and level in rigorous working conditions. Load Moment Indication System has audio alarm and functional shut down when operator encounters an overload situation.

**OUTRIGGERS**

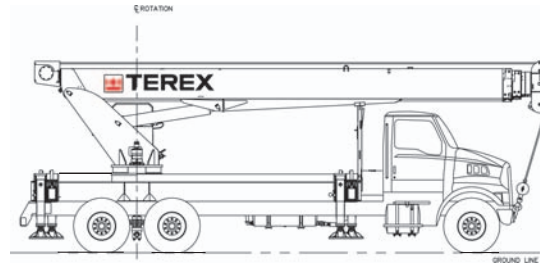
- ▶ Front outriggers are Out & Down. The maximum width over main outrigger pads is 25' 6" (7.78 m).
- ▶ Rear outriggers are Out & Down. The maximum width over auxiliary outrigger pads is 17' 6" (5.33 m).

**SUBFRAME**

- ▶ Single fabricated, closed-box style subframe yields greater strength and rigidity. Wheelbase for standard truck crane mounting configuration is 261" (6.62 m).

**OPTIONS AND ACCESSORIES**

- ▶ Single and two-stage jibs
- ▶ Multi-part load blocks
- ▶ Main winch with 2 speed motor
- ▶ Auxiliary winch
- ▶ Rotation-resistant load line
- ▶ Heavy duty wood flatbeds
- ▶ Extra heavy duty wood flatbeds
- ▶ Extra heavy duty steel flatbeds
- ▶ Radio remote controls
- ▶ One-man or two-man baskets
- ▶ Self-leveling work platform
- ▶ Winch drum tensioner
- ▶ Continuous rotation
- ▶ Oil cooler
- ▶ Single front bumper outrigger (required for 370° or continuous rotation)
- ▶ Hydraulic hose reel
- ▶ Hydraulic auxiliary tool circuit
- ▶ Tool box

**RS MODEL**
**SPECIFICATIONS**

**BOOM**

- ▶ 30.5-100' (9.30-30.48 m) four-section full power fully synchronized boom. Patented keel boom design utilizes a keel shaped base plate combined with a deep, four plate boom section to optimize strength / rigidity-to-height ratio. Exclusive, patented color-coded boom and load charts allow the operator to easily determine boom extension, boom angle and load capacity. Maximum tip height with four-section 30.5-100' (9.30-30.48 m) boom is 110' (33.53 m). Maximum tip height with optional two-stage 30.5-55' (9.30-16.76 m) jib is 163' (49.68 m).

**WINCH**

- ▶ Hydraulic winch with 2-speed gear motor and planetary reduction gearing provides 2-speed operation. First layer rope pull is 15,000 lb (6 804 kg). Wire rope size is 5/8" (16 mm) with 45,400 lb (20 593 kg) breaking strength.

**OPERATING SPEEDS**

- ▶ Mainframe / turret assembly planetary gear rotation provides 180° rotation (370° with optional front bumper outrigger). Swing rotation is 75 seconds. Boom up/down is 60/41 seconds and boom extend/retract is 108/50 seconds.

**HYDRAULICS**

- ▶ Three-section pump allows the operator to perform simultaneous crane operations (winch, boom and swing). Capacities are 32, 17 and 8 gpm (122, 64 and 30 L/m). Hydraulic tank capacity is 90 gal (342 L). Hydraulic oil cooler is standard.

**CONTROLS**

- ▶ Fully proportional, excellent metering characteristics for precise boom movements. Independent outrigger controls allow the crane to be stable and level in rigorous working conditions. Load Moment Indication System has audio alarm and functional shut down when operator encounters an overload situation.

**OUTRIGGERS**

- ▶ Front and Rear outriggers are Out & Down type. The maximum width over outrigger (Front and Rear) pads is 22' 4" (6.81 m).
- ▶ Front bumper outrigger is standard

**SUBFRAME**

- ▶ Single fabricated, closed-box style subframe yields greater strength and rigidity. Wheelbase for standard truck crane mounting configuration is 261" (6.62 m).

**OPTIONS AND ACCESSORIES**

- ▶ Single and two-stage jibs
- ▶ Multi-part load blocks
- ▶ Radio Remote Controls
- ▶ Enclosed Operators Cab
- ▶ Cab Heater
- ▶ Auxiliary winch
- ▶ Rotation-resistant load line
- ▶ One-man or two-man baskets
- ▶ Self-leveling work platform
- ▶ Winch drum tensioner
- ▶ Continuous rotation
- ▶ Hydraulic hose reel
- ▶ Hydraulic auxiliary tool circuit
- ▶ Tool box



# TEREX

## STINGER 70100 | Contacts

### SALES

#### Tom Limbach

Sales Director, Terex Cranes  
Office: (319) 352-9357  
Mobile: (815) 703-3905  
Office Fax: (319) 352-9395  
Email: tom.limbach@terexwaverly.com

#### Diane Sheedy

Director of International Sales  
Office: (319) 352-9326  
Office Fax: (319) 352-9395  
Email: diane.sheedy@terexwaverly.com

#### Bruce Kramer

Sales Manager, Terex Cranes  
Office: (319) 352-9347  
Mobile: (815) 703-3896  
Office Fax: (319) 352-9395  
Email: bruce.kramer@terexwaverly.com

#### Chad Brandenburg

Sales Coordinator, Terex Cranes  
Office: (319) 352-9356  
Mobile: (910) 367-3152  
Office Fax: (319) 352-9395  
Email: chad.brandenburg@terexwaverly.com

#### Angie Scribner

Sales Assistant, Terex Cranes  
Office: (319) 352-9309  
Office Fax: (319) 352-9395  
Email: angie.scribner@terexwaverly.com

### SERVICE – PARTS

#### Roger Jones

Service Manager – Product Support  
Office: (910) 395-8504  
Mobile: (910) 367-6260  
Office Fax: (910) 395-8538  
Email: rjones@american-crane.com

#### Dino Nelson

Service Training Specialist  
Office: (319) 352-9338  
Mobile: (815) 703-1800  
Office Fax: (319) 352-9378  
Email: dino.nelson@terexwaverly.com

#### Jim Chivers (Boom Trucks)

Service Manager – Product Support  
Office: (319) 352-9352  
Mobile: (815) 703-3901  
Office Fax: (319) 352-9378  
Email: jim.chivers@terexwaverly.com

#### Fred Backer (Boom Trucks)

Service Technician  
Office: (319) 352-9388  
Mobile: (815) 703-6514  
Office Fax: (319) 352-9378  
Email: fred.backer@terexwaverly.com

#### Dan Kalkbrenner (RT & T Cranes)

Service Manager – Product Support  
Office: (319) 352-9368  
Mobile: (815) 703-3900  
Office Fax: (319) 352-9378  
Email: dan.kalkbrenner@terexwaverly.com

#### Jim Dawson (RT & T Cranes)

Service Manager – Product Support  
Office: (319) 352-9366  
Mobile: (815) 703-3899  
Office Fax: (319) 352-9378  
Email: jim.dawson@terexwaverly.com

### PARTS

#### Peggy Pellican

Director of Aftermarket Sales  
Office: (336) 644-0536  
Mobile: (336) 442-8348  
Office Fax: (336) 644-0495  
Fax: (801) 991-8193  
Email: ppellican@terexparts.com

### QUALITY ASSURANCE

#### Lee Linderkamp

Quality Assurance Manager  
Office: (319) 352-9364  
Mobile: (815) 703-3898  
Office Fax: (319) 352-9378  
Email: lee.linderkamp@terexwaverly.com

#### Clint Schrage

Warranty Manager  
Office: (319) 352-9305  
Office Fax: (319) 352-9378  
Email: clint.schrage@terexwaverly.com

### ENGINEERING

#### George Green

Director of Engineering  
Office: (319) 352-9315  
Office Fax: (319) 352-9378  
Email: george.green@terexwaverly.com

#### Dave Schoonover (Boom Trucks)

Project Engineer  
Office: (319) 352-9372  
Office Fax: (319) 352-9378  
Email: dave.schoonover@terexwaverly.com

#### Brian Thomas (RT Cranes)

Project Engineer  
Office: (319) 352-9386  
Office Fax: (319) 352-9378  
Email: brian.thomas@terexwaverly.com

#### Dave Frerking (T Cranes)

Project Engineer  
Office: (319) 352-9321  
Office Fax: (319) 352-9378  
Email: dave.frerking@terexwaverly.com

### MANAGEMENT

#### Dan Micheau

Operations Manager, Terex Cranes  
Office: (319) 352-9314  
Mobile: (815) 703 3903  
Office Fax: (319) 352-5727  
Email: dan.micheau@terexwaverly.com

**TEREX Cranes**  
106-12th Street S.E.  
Waverly, IA 50677-9466 USA

TEL (319) 352-3920  
FAX (319) 352-5727  
EMAIL inquire@terexwaverly.com  
WEB terex.com